



THE ULTIMATE KIOSK EXPERIENCE

WWW.IQSK.IR

02128429650

آی کیوسک

2026

PRODUCT CATALOG

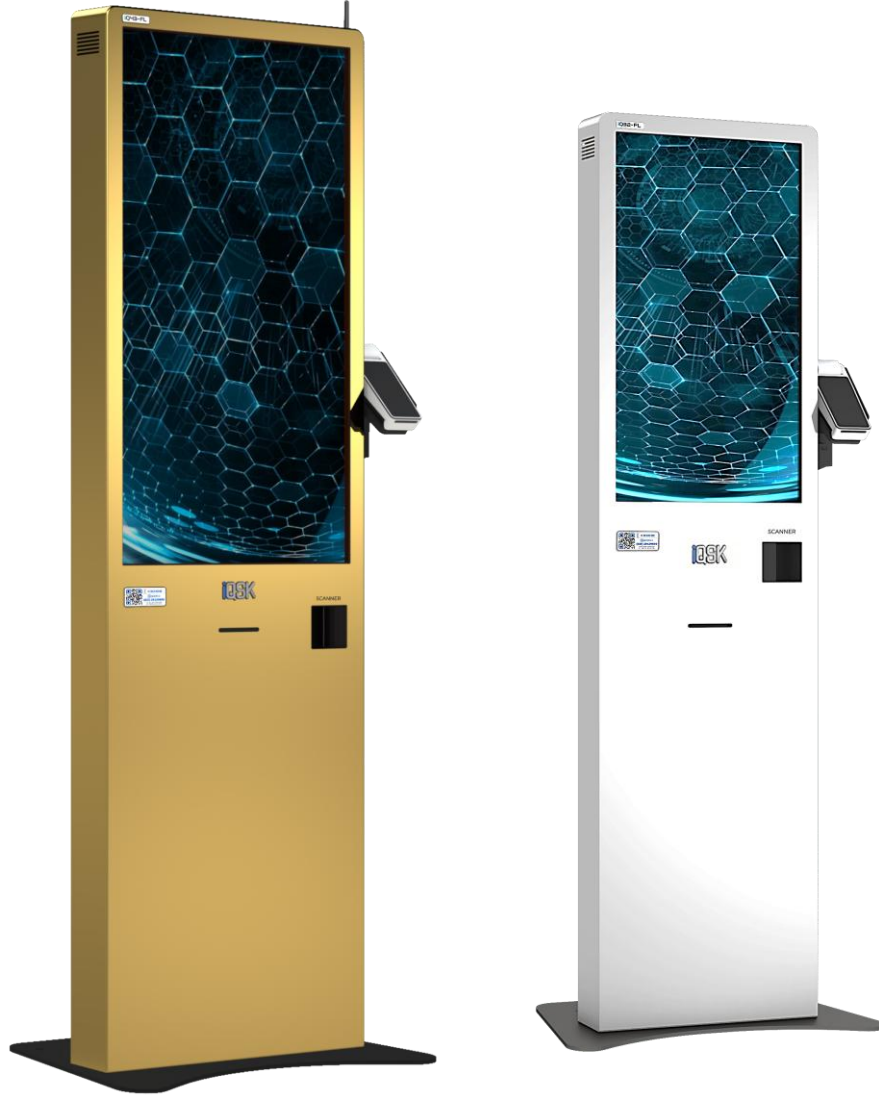
KIOSK SERIES

FL SERIES

PORTRAIT KIOSK

الكيوسك بوضع عمودي (الواقف)

الجيل الجديد من الأكشاك الذكية لتسجيل الطلبات، البيع والإعلانات



- Intel® Core™
- SSD
- DDR4
- LAN/Wi-Fi
- 1/2D Scanner
- 3" Printer
- 32"/43"
- IR MultiTouch
- RFID
- WIN 10/11
- Speaker
- Android EMU



گارانتی طلائی آیکیوسرویس

@ALL RIGHTS RESERVED
BY IQSK COMPANY

Technical Specifications

OPS System

OPS System	
Processor	Intel® Core i5 Processor
Memory	8GB DDR4-2666 SDRAM (Up to 32GB) Transfer rates up to 2666 MT/s
Memory slots	2 SODIMM
Internal Storage	256 GB PCIe® NVMe™ SED Opal 2 TLC M.2 SSD (up to 512 GB)
Graphic	Integrated: Intel® UHD Graphics 630
Expansion slots	1 M.2 2230; 2 M.2 2230/2280 (1 M.2 slot for WLAN and 2 M.2 2230/2280 slot for storage.)
Ports and Connectors	1 headphone; 1 headset connector; 1 USB 3.1 Gen 1 (charging); 1 USB 3.1 Gen 2; 1 USB 3.1 Type-C™ Gen 2
Communications	LAN: Integrated Intel® I219LM GbE LOM WLAN: Intel® Dual Band Wireless-AC 9560 Wi-Fi 5 (2x2) and Bluetooth® 5 M.2, non-vPro™; Intel® Dual Band Wireless-AC 9560 Wi-Fi 5 (2x2) and Bluetooth® 5 M.2, vPro™
Environmental	Operating temperature: 10 to 35°C; Operating humidity: 10 to 90% RH
Energy efficiency compliance	ENERGY STAR® certified; EPEAT® 2019 registered where applicable
Available Operating Systems	Win 10/11
Upgradeability	OK

Technical Specifications

PANEL & TOUCH

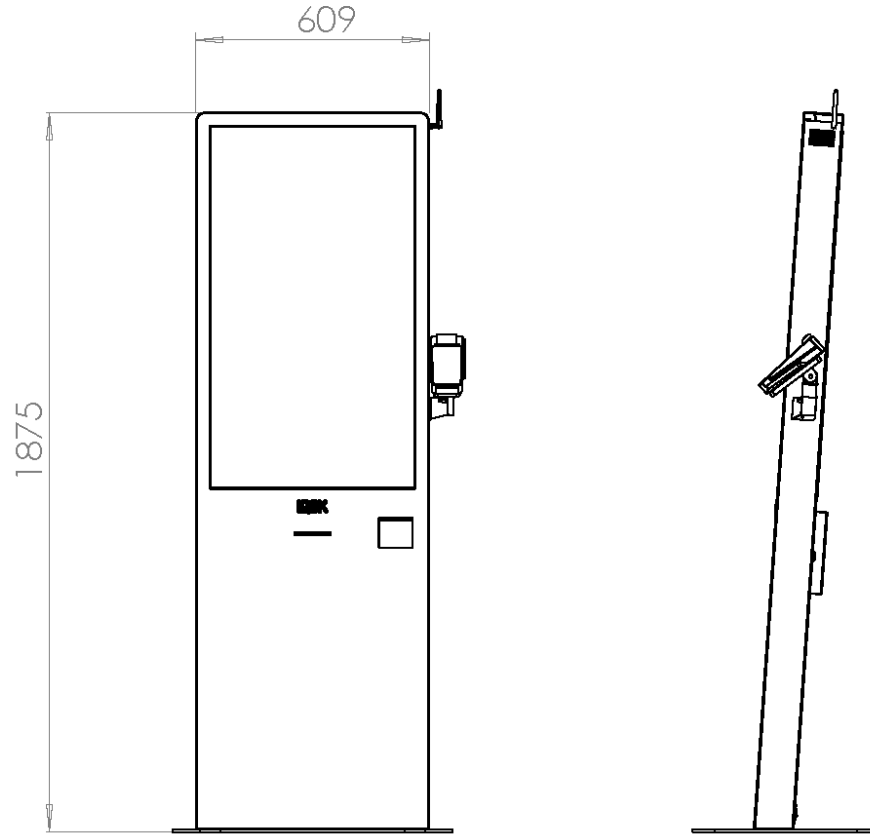
	43FL	32FL
Screen Size	43" (952x536 mm)	32" (708x398 mm)
Display Resolution	Full HD (1080×1920)	HD (768×1366)
Brightness (cd/m2)	380 Nits	250 Nits
Contrast Ratio	5000:1	3000:1
Viewing Angle (H/V)	178°/178°	178°/178°
Audio Power Output	2×8W	Optional (2x1.5W)
Touch		
Technology	InfraRed (IR) Multi-touch	
Touch Points	20	
Transparency	100% (≥ 95% With Glass)	
Response time	<30 ms	
Response object	Finger & Any 3 and higher mm thick object	
Environment	Working temperature -20 to +70°C Working humidity 20% to 85%	
Cover Glass	6mm thickness Super-Clear Tempered Glass	

Technical Specifications

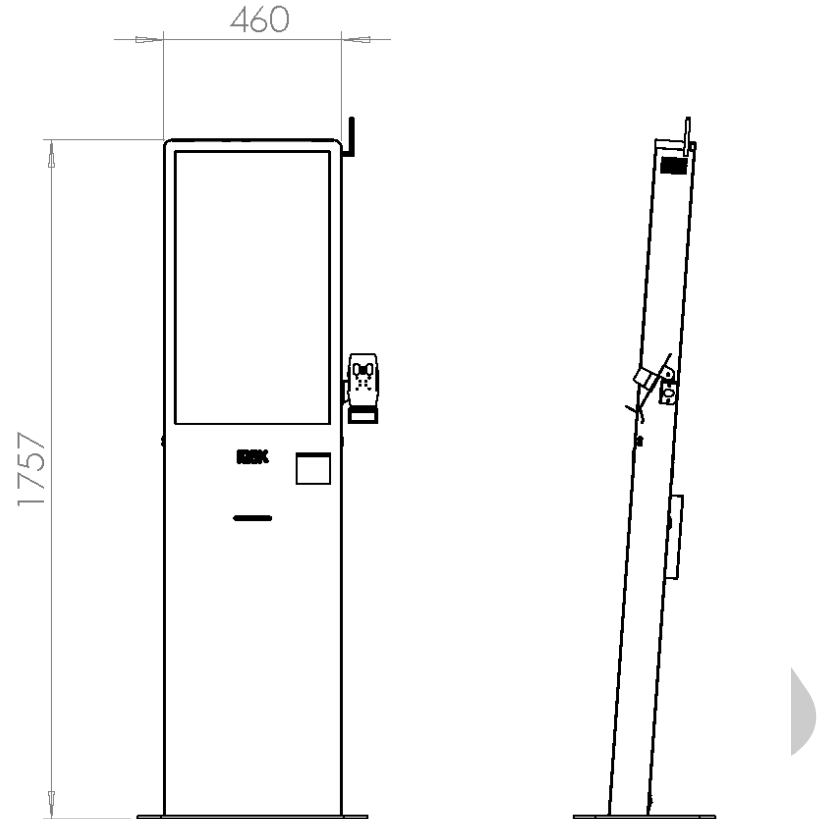
MECHANICAL STRUCTURE

MECHANICAL STRUCTURE		
	43FL	32FL
DIMENSION (H x L x W)	187.5cm H x 47cm L x 60.9cm W	176cm H x 36cm L x 46cm W
WEIGHT	75 Kg	55 Kg
PACKAGING	Cardboard Material Box Size: 200cm H x 30cm L x 70cm W Weight: 6kg (Approximately)	Cardboard Material Box Size: 190cm H x 45cm L x 60cm W Weight: 5kg (Approximately)
BODY MATERIAL & MANUFACTURING TECHNOLOGY	Formed Sheet Metal STEEL High-precision CNC laser cutting Fully automated CNC bending Cold laser welding technology	
PAINTING	Electrostatic powder coating (long-term corrosion and scratch resistance)	
AVAILABLE COLORS	Eerie Black (#262626) White (#FFFFFF) Light Gold (#D3C375)	
PRINTER MECHANISM	Print method	Direct thermal line printing
	Resolution	203x203 DPI
	Print width	Max. 72mm
	Print speed	Max. 200mm/s
	Paper type	Continuous paper; Marked paper
	Paper roll OD/Paper roll width	Max. 83mm/80±0.5mm
	Print head lifetime	100km
Cutter lifetime	1,000,000 cuts	

Technical Specifications



43FL-G5



32FL-G5

Technical Specifications

AVAILABLE COLORS

Technology

Electrostatic powder coating (long-term corrosion and scratch resistance)



RAL COLOR



FL SERIES
PORTRAIT KIOSK

THE ULTIMATE KIOSK EXPERIENCE





DR SERIES

Wall-Mountable Kiosk

الكيوسك قابلة للتثبيت على الحائط

الجيل الجديد من الأكشاك الذكية لتسجيل الطلبات، البيع والإعلانات

- Intel® Core™
- SSD
- DDR4
- LAN/Wi-Fi
- 1/2D Scanner
- 3" Printer
- 24/32"
- IR MultiTouch
- RFID
- WIN 10/11
- Speaker
- Android EMU



گارانتی طلائی آیکوسرویس

© ALL RIGHTS RESERVED
BY IQSK COMPANY

Technical Specifications

OPS System

OPS System	
Processor	Intel® Core i5 Processor
Memory	8GB DDR4-2666 SDRAM (Up to 32GB) Transfer rates up to 2666 MT/s
Memory slots	2 SODIMM
Internal Storage	256 GB PCIe® NVMe™ SED Opal 2 TLC M.2 SSD (up to 512 GB)
Graphic	Integrated: Intel® UHD Graphics 630
Expansion slots	1 M.2 2230; 2 M.2 2230/2280 (1 M.2 slot for WLAN and 2 M.2 2230/2280 slot for storage.)
Ports and Connectors	1 headphone; 1 headset connector; 1 USB 3.1 Gen 1 (charging); 1 USB 3.1 Gen 2; 1 USB 3.1 Type-C™ Gen 2
Communications	LAN: Integrated Intel® I219LM GbE LOM WLAN: Intel® Dual Band Wireless-AC 9560 Wi-Fi 5 (2x2) and Bluetooth® 5 M.2, non-vPro™; Intel® Dual Band Wireless-AC 9560 Wi-Fi 5 (2x2) and Bluetooth® 5 M.2, vPro™
Environmental	Operating temperature: 10 to 35°C; Operating humidity: 10 to 90% RH
Energy efficiency compliance	ENERGY STAR® certified; EPEAT® 2019 registered where applicable
Available Operating Systems	Win 10/11
Upgradeability	OK

Technical Specifications

PANEL & TOUCH

Interactive Panel		
	24DR	32DR
Screen Size	23.8" (527x297 mm)	32" (708x398 mm)
Display Resolution	Full HD (1080×1920)	HD (768×1366)
Brightness (cd/m2)	250 Nits	250 Nits
Contrast Ratio	3000:1	3000:1
Viewing Angle (H/V)	178°/178°	178°/178°
Audio Power Output	Optional (2x1.5W)	Optional (2x1.5W)
Touch		
Technology	InfraRed (IR) Multi-touch	
Touch Points	20	
Transparency	100% (≥ 95% With Glass)	
Response time	<30 ms	
Response object	Finger & Any 3 and higher mm thick object	
Environment	Working temperature -10 to +45°C Working humidity 20% to 85%	
Cover Glass	4mm thickness Super-Clear Tempered Glass	

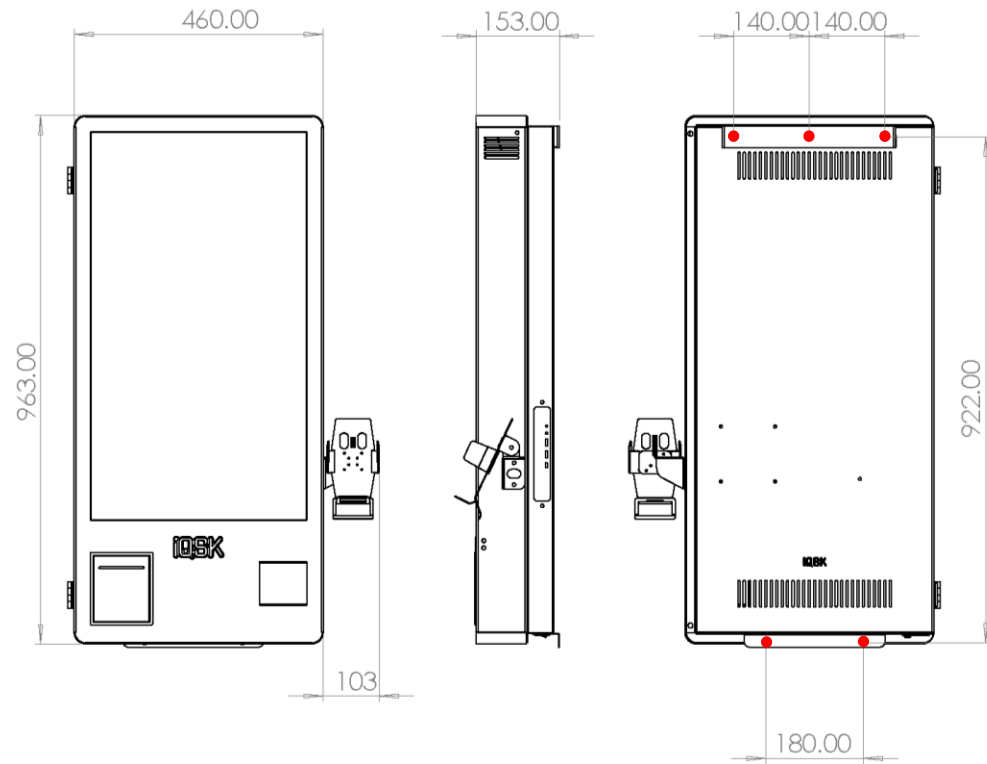
Technical Specifications

MECHANICAL STRUCTURE

MECHANICAL STRUCTURE		
	24DR	32FL
DIMENSION (H x L x W)	76cm H x 13.5cm L x 35.5cm W	96cm H x 15.3cm L x 46cm W
WEIGHT	24 Kg	36 Kg
PACKAGING	Cardboard Material Box Size: 90cm H x 20cm L x 45cm W Weight: 3kg (Approximately)	Cardboard Material Box Size: 110cm H x 20cm L x 55cm W Weight: 4kg (Approximately)
BODY MATERIAL & MANUFACTURING TECHNOLOGY	Formed Sheet Metal STEEL High-precision CNC laser cutting Fully automated CNC bending Cold laser welding technology	
PAINTING	Electrostatic powder coating (long-term corrosion and scratch resistance)	
AVAILABLE COLORS	Eerie Black (#262626) White (#FFFFFF) Light Gold (#D3C375) Muted Silver (#B0B5B4)	
PRINTER MECHANISM	Print method	Direct thermal line printing
	Resolution	203x203 DPI
	Print width	Max. 72mm
	Print speed	Max. 200mm/s
	Paper type	Continuous paper; Marked paper
	Paper roll OD/Paper roll width	Max. 83mm/80±0.5mm
	Print head lifetime	100km
Cutter lifetime	1,000,000 cuts	

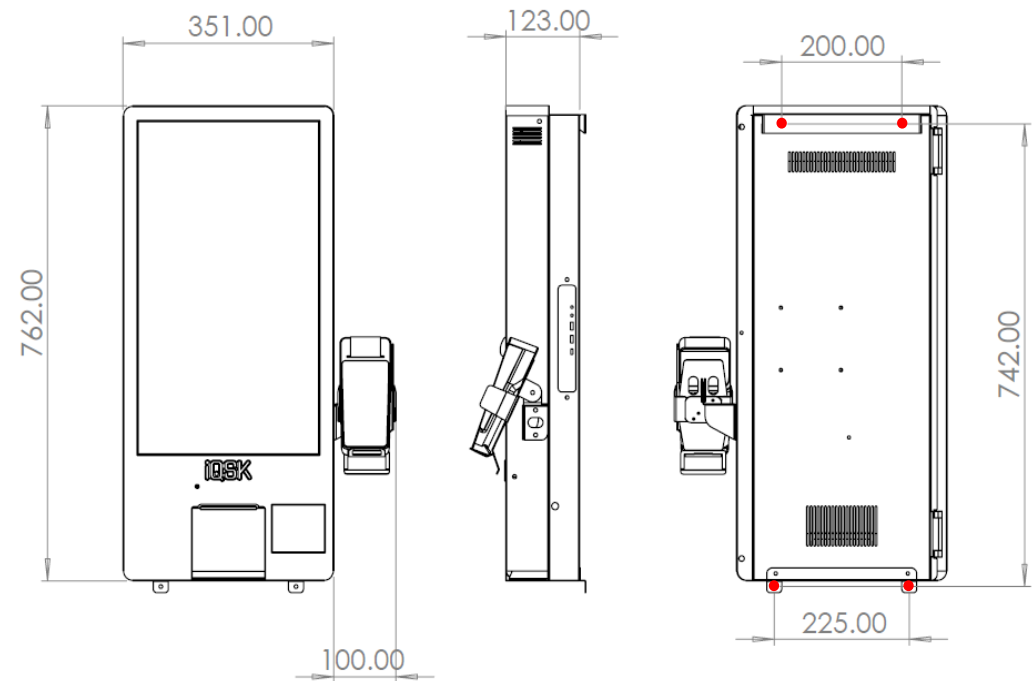
Technical Specifications

MECHANICAL DIMENSIONS



32DR-G2

- Wall Mounting Position



24DR-G5

- Wall Mounting Position

Technical Specifications

AVAILABLE COLORS

Technology Electrostatic powder coating (long-term corrosion and scratch resistance)



DR SERIES

Wall-Mountable Kiosk

THE ULTIMATE KIOSK EXPERIENCE

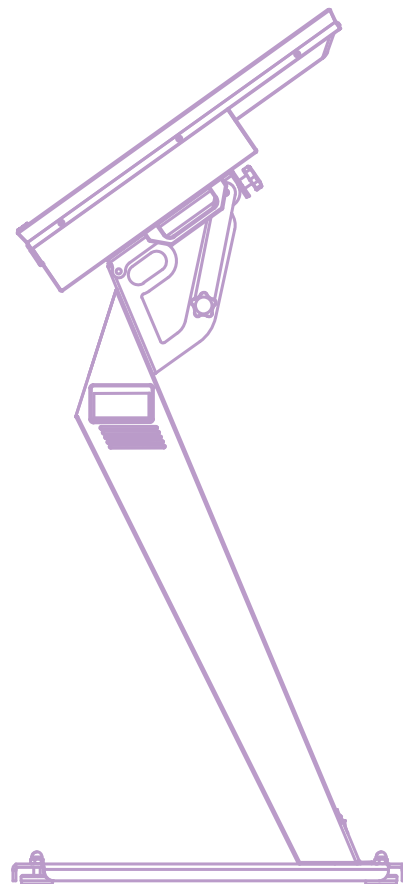


PR SERIES

PRESENTATION KIOSK

الكيوسك العرض التقديمي

مناسب للمكاتب الهندسية والتصميمية، المكاتب والخدمات المهنية
مكاتب العقارات، المراكز التجارية، المعارض وصلات العرض



- Intel® Core™
- SSD
- DDR4
- 43"
- IR Multi Touch
- Speaker
- WIN 10/11



گارانتی طلایی آیکیوسرویس

@ ALL RIGHTS RESERVED
BY IQSK COMPANY

Technical Specifications

OPS System

OPS System	
Processor	Intel® Core i5 Processor
Memory	8GB DDR4-2666 SDRAM (Up to 32GB) Transfer rates up to 2666 MT/s
Memory slots	2 SODIMM
Internal Storage	256 GB PCIe® NVMe™ SED Opal 2 TLC M.2 SSD (up to 512 GB)
Graphic	Integrated: Intel® UHD Graphics 630
Expansion slots	1 M.2 2230; 2 M.2 2230/2280 (1 M.2 slot for WLAN and 2 M.2 2230/2280 slot for storage.)
Ports and Connectors	1 headphone; 1 headset connector; 1 USB 3.1 Gen 1 (charging); 1 USB 3.1 Gen 2; 1 USB 3.1 Type-C™ Gen 2
Communications	LAN: Integrated Intel® I219LM GbE LOM WLAN: Intel® Dual Band Wireless-AC 9560 Wi-Fi 5 (2x2) and Bluetooth® 5 M.2, non-vPro™; Intel® Dual Band Wireless-AC 9560 Wi-Fi 5 (2x2) and Bluetooth® 5 M.2, vPro™
Environmental	Operating temperature: 10 to 35°C; Operating humidity: 10 to 90% RH
Energy efficiency compliance	ENERGY STAR® certified; EPEAT® 2019 registered where applicable
Available Operating Systems	Win 10/11
Upgradeability	OK

Technical Specifications

PANEL & TOUCH

Screen Size	43" (952x536 mm)
Display Resolution	Full HD (1080×1920)
Brightness (cd/m2)	380 Nits
Contrast Ratio	4000:1
Viewing Angle (H/V)	178°/178°
Audio Power Output	2×8W
Touch	
Technology	InfraRed (IR) Multi-touch
Touch Points	20
Transparency	100% (≥ 95% With Glass)
Response time	<30 ms
Response object	Finger & Any 3 and higher mm thick object
Environment	Working temperature -20 to +70°C Working humidity 20% to 85%
Cover Glass	6mm thickness Super-Clear Tempered Glass

Technical Specifications

MECHANICAL STRUCTURE

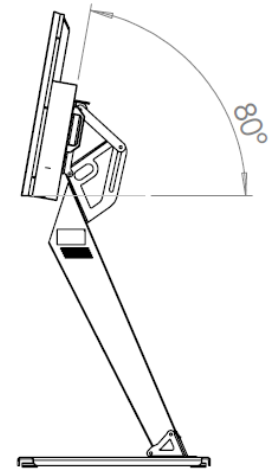
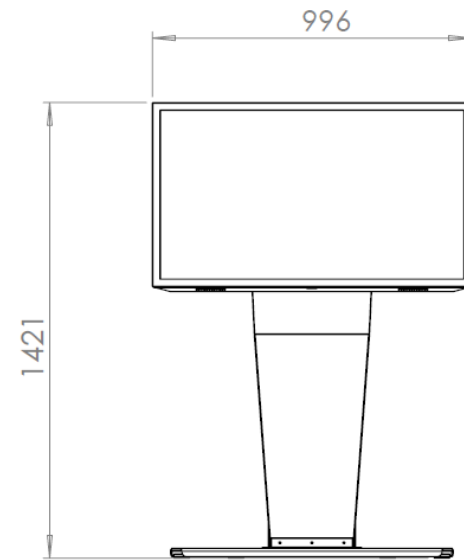
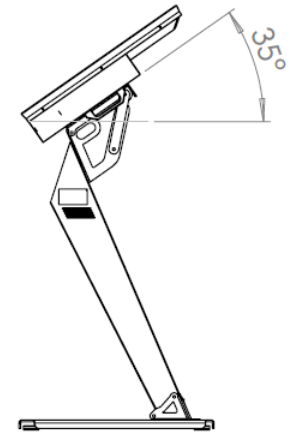
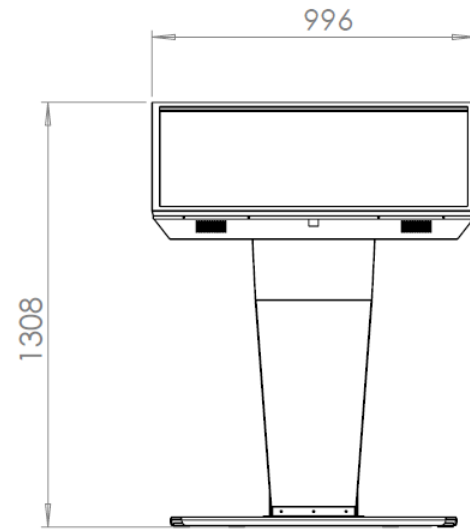
MECHANICAL STRUCTURE	
DIMENSION (H x L x W)	131cm H x 59.5cm L x 99.6cm W (35°) 142cm H x 59.5cm L x 99.6cm W (80°)
WEIGHT	50 Kg
PACKAGING	Cardboard Material Box Size: 50cm H x 70cm L x 120cm W Weight: 5kg (Approximately)
BODY MATERIAL & MANUFACTURING TECHNOLOGY	Formed Sheet Metal STEEL High-precision CNC laser cutting Fully automated CNC bending Cold laser welding technology
PAINTING	Electrostatic powder coating (long-term corrosion and scratch resistance)
AVAILABLE COLORS	Eerie Black (#262626) White (#FFFFFF) Light Gold (#D3C375)

Technical Specifications

MECHANICAL DIMENSIONS



43PR-G4



Technical Specifications

AVAILABLE COLORS

Technology Electrostatic powder coating (long-term corrosion and scratch resistance)



PR SERIES

PRESENTATION KIOSK

THE ULTIMATE KIOSK EXPERIENCE

